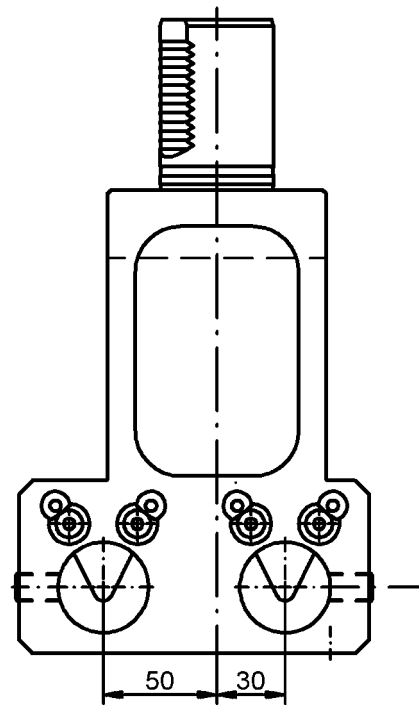
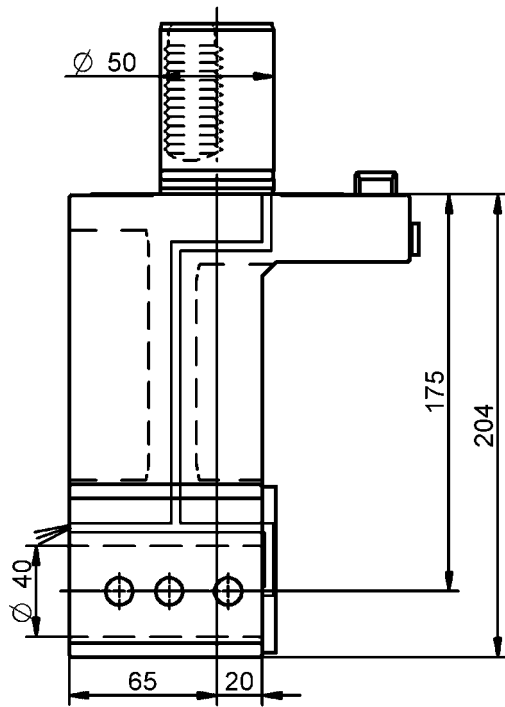
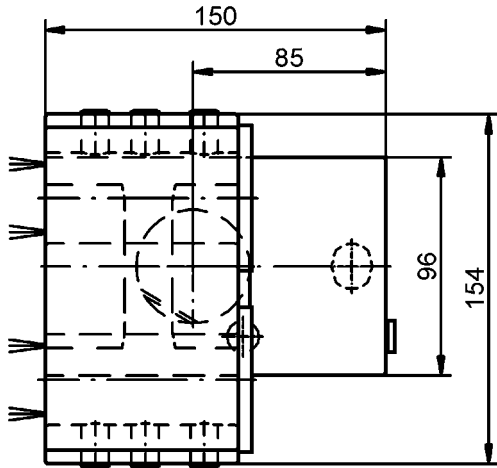
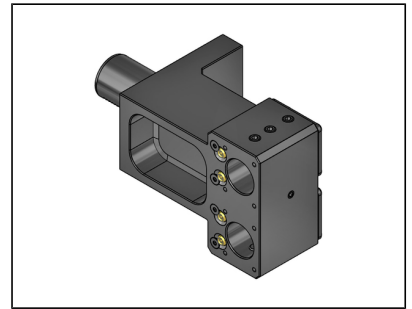


MZ50V Static Toolholders - Enhanced Program



Combination holder, universal, double, Y axis
 Y axis offset 30/50 mm
 Internal and external coolant supply



Item No.	Tool Clamping			
48-85287	Ø 40			

Accessories
 (not included)



241140020
 Collet chuck



240040